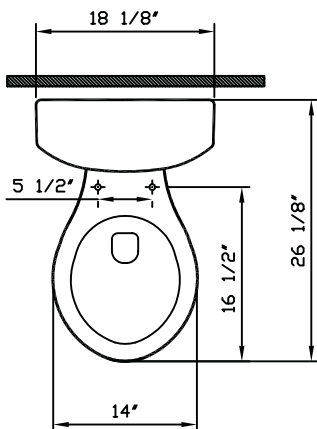


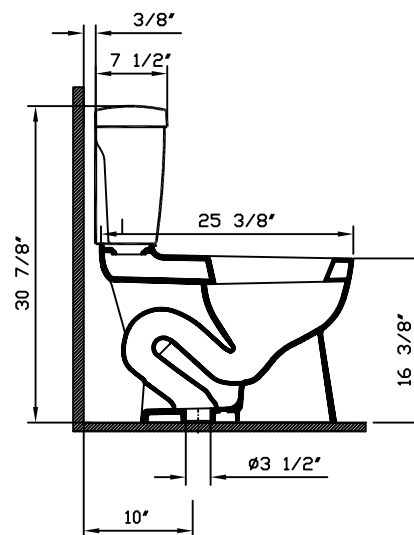


- Description** : EverGreen two-piece Round Front Bowl - ADA Compliant
- Model Numbers** : 5196-XXX-0075
- Compatible Items** : 5400-XXX-5249 Tank with white plastic trim lever fill valve (fluidmaster)
5400-5250 Tank with chrome plated trim lever fill valve (fluidmaster)
- Water Consumption** : 1.2 GPF /4.5 LPF
- Water Surface** : 6 3/4" x 7 7/8"
- Water Depth From Rim** : 7 7/8"
- Rough-In** : 10"
- Minimum Water Pressure** : 20 psi.
- Trap Diameter** : 2" ball pass with 2 1/8" trap diameter
- Trap Seal Depth** : 2 3/8"
- Shipping Weight** : 51 lbs.
- Shipping Dimensions** : 5196: 14 1/2"W x 26"L x 18 1/8"H
5400: 7 1/2" W x 18 3/4"L x 16" H
- Installation Guide** : VitrA Guide 312851
- Included Components** : Tank fittings, bolt caps (white 310359 / bone biscuit 310306)
- Material** : Vitreous china
- Colors** : 003 White
017 Bone, 068 Biscuit (Basic Colors)
"XXX" indicates the color
- Standards** : Meets the American Disabilities Act Guidelines and ICC/ANSI A117-1 requirements when installed so top of seat is 17" from the finished floor. Recommended seat for ADA requirements: VitrA 36-XXX-002 ASME A 112.19.2, CSA B45, CMR 248 (State of Massachusetts), ICC/ANSI A.117-1, LADWP/SPS (City of Los Angeles)
- Warranty** : 10 year limited warranty

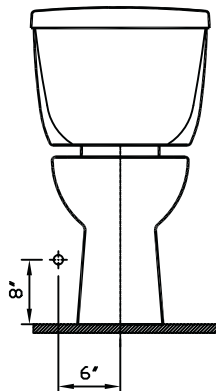
1



2



3



Notes:

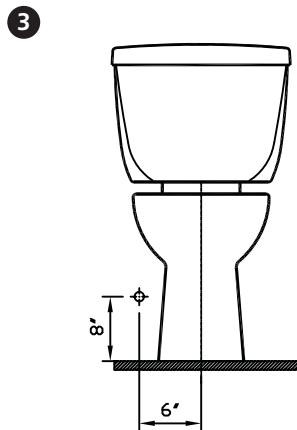
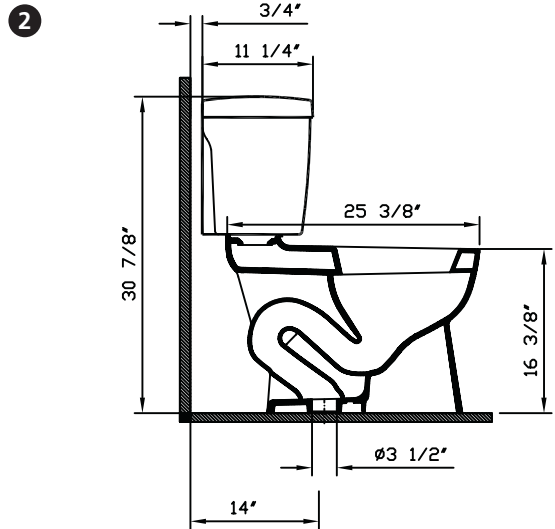
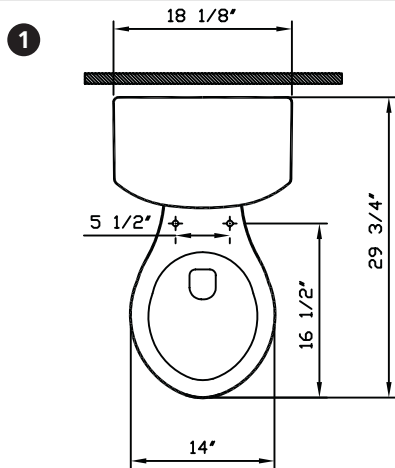
- DIMENSIONS SHOWN FOR THE LOCATION OF THE SUPPLY IS SUGGESTED.
- INSTALLATION INSTRUCTIONS SUPPLIED WITH THE TOILET.

IMPORTANT: Dimensions of fixtures are nominal and may vary within the range of tolerances established by ASME Standard A 112.19.2 and CSA Standard B45., ICC/ANSI A.117-1 These measurements may be subject to change. No responsibility is assumed for the use of superseded or voided pages.

April, 2007



- Description** : EverGreen two-piece Round Front Bowl - ADA Compliant
- Model Numbers** : 5196-XXX-0075
- Compatible Items** : 5404-XXX-5249 Tank with white plastic trim lever fill valve (fluidmaster)
5404-XXX-5250 Tank with chrome plated trim lever fill valve (fluidmaster)
- Water Consumption** : 1.2 GPF /4.5 LPF
- Water Surface** : 6 3/4" x 7 7/8"
- Water Depth From Rim** : 7 7/8"
- Rough-In** : 14"
- Minimum Water Pressure** : 20 psi.
- Trap Diameter** : 2" ball pass with 2 1/8" trap diameter
- Trap Seal Depth** : 2 3/8"
- Shipping Weight** : 51 lbs.
- Shipping Dimensions** : 5196: 14 1/2"W x 26"L x 18 1/8"H
5404: 9 7/8"W x 18 3/4"L x 16"H
- Installation Guide** : Vitra Guide 312851
- Included Components** : Tank fittings, bolt caps (white 310359 / bone-biscuit 310306)
- Material** : Vitreous china
- Colors** : 003 White
017 Bone, 068 Biscuit (Basic Colors)
"XXX" indicates the color
- Standards** : Meets the American Disabilities Act Guidelines and ICC/ANSI A117-1 requirements when installed so top of seat is 17" from the finished floor. Recommended seat for ADA requirements: Vitra 36-XXX-002 ASME A 112.19.2, CSA B45, CMR 248 (State of Massachusetts), ICC/ANSI A.117-1, LADWP/SPS (City of Los Angeles)
- Warranty** : 10 year limited warranty



Notes:

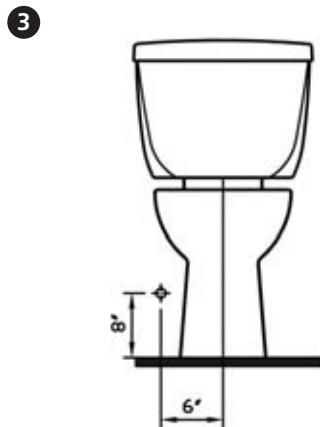
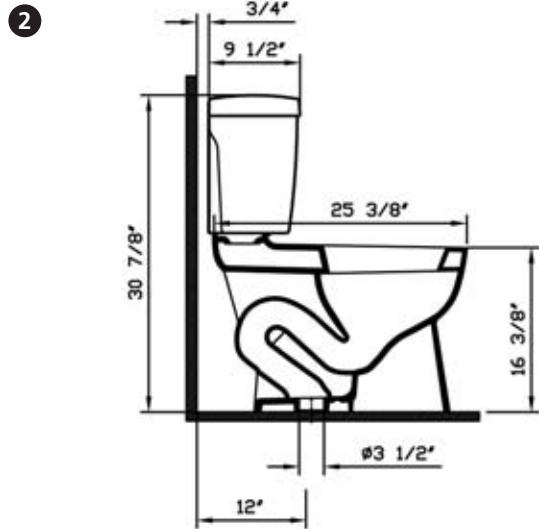
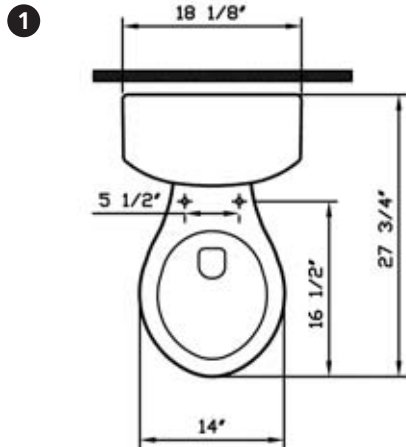
- DIMENSIONS SHOWN FOR THE LOCATION OF THE SUPPLY IS SUGGESTED.
- INSTALLATION INSTRUCTIONS SUPPLIED WITH THE TOILET.

IMPORTANT: Dimensions of fixtures are nominal and may vary within the range of tolerances established by ASME Standard A 112.19.2 and CSA Standard B45., ICC/ANSI A.117-1 These measurements may be subject to change. No responsibility is assumed for the use of superseded or voided pages.

April, 2007



- Description** : EverGreen two-piece Round Front Bowl - ADA Compliant
- Model Numbers** : 5196-XXX-0075
- Compatible Items** : 5402-XXX-5249 Tank with white plastic trim lever (fluidmaster fill valve)
5402-XXX-5250 Tank with chrome plated trim lever (fluidmaster fill valve)
- Water Consumption** : 1.2 GPF /4.5 LPF
- Water Surface** : 6 1/4" x 7 7/8"
- Water Depth From Rim** : 7 7/8"
- Rough-In** : 12"
- Minimum Water Pressure** : 20 psi.
- Trap Diameter** : 2" ball pass with 2 1/8" trap diameter
- Trap Seal Depth** : 2 3/8"
- Shipping Weight** : 51 lbs.
- Shipping Dimensions** : 5196: 15 1/8"W x 27 3/8"L x 17 2/8"H
5402: 9 7/8"W x 18 3/4"L x 16"H
- Installation Guide** : Vitra Guide 312851
- Included Components** : Tank fittings, bolt caps (white 310359 / bone-biscuit 310306)
- Material** : Vitreous china
- Colors** : 003 White
017 Bone, 068 Biscuit (Basic Colors)
"XXX" indicates the color
- Standards** : Meets the American Disabilities Act Guidelines and ICC/ANSI A117-1 requirements when installed so top of seat is 17" from the finished floor. Recommended seat for ADA requirements: Vitra 36-XXX-002 ASME A 112.19.2, CSA B45, CMR 248 (State of Massachusetts), ICC/ANSI A.117-1, LADWP/SPS (City of Los Angeles)
- Warranty** : 10 year limited warranty



Notes:

- DIMENSIONS SHOWN FOR THE LOCATION OF THE SUPPLY IS SUGGESTED.
- INSTALLATION INSTRUCTIONS SUPPLIED WITH THE TOILET.

IMPORTANT: Dimensions of fixtures are nominal and may vary within the range of tolerances established by ASME Standard A 112.19.2 and CSA Standard B45., ICC/ANSI A.117-1 These measurements may be subject to change. No responsibility is assumed for the use of superseded or voided pages.